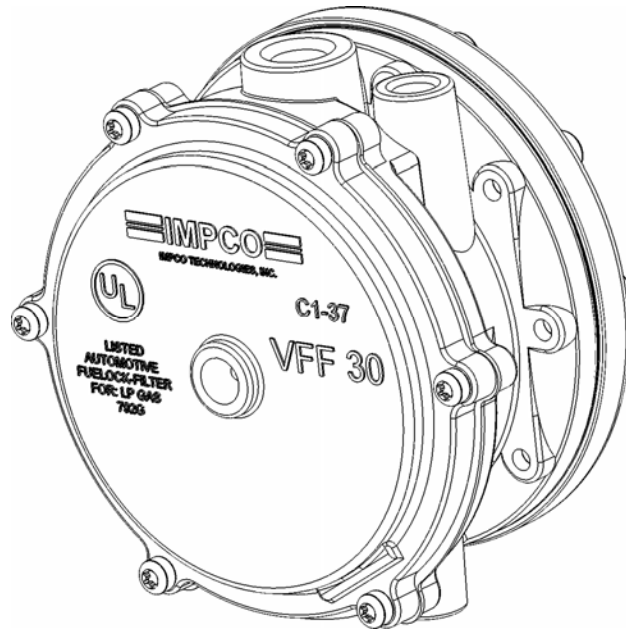


# MODEL VFF30 VACUUM FUEL LOCK/FILTER

FUEL SHUT-OFFS/LOCKOFFS



## MODEL VFF30 VACUUM FUEL LOCK/FILTER



### DESCRIPTION

The Model VFF30 is a combination fuel lockoff and filter, engineered for use with LPG (liquid or vapor) or Natural Gas Vapor. It is available with hydrin, silicone and fluorosilicone diaphragms. A pressure of 0.5" w.c (0.12kPa) is required to open the lockoff. The VFF30 is suitable for engines up to 325 hp (242 kW) at a maximum working pressure of 312 psi (21.51 Bar). The extra large capacity filter element is fully serviceable.

### SPECIFICATIONS

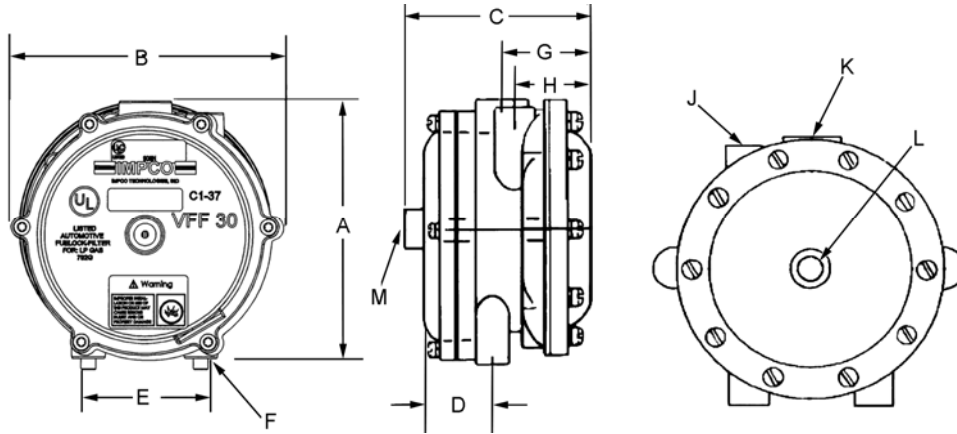
Fuel Type .....	LPG Liquid/Vapor, Natural Gas Vapor
Inlet Pressure (maximum) .....	312 psi (21.51 Bar)
Flow Rate .....	26.7 CFM (12.6 L/s)
Operating Temperature Range.....	-40°F to +250°F (-40°C to +121°C)
Filtration.....	40 Micron
Vacuum Activation	
Minimum Opening .....	0.50" w.c. (0.12kPa)
Fully Opened .....	11.5" w.c. (2.86 kPa)
Minimum Operating Opening...	2.0" w.c.(0.50 kPa)
Mounting Position .....	Vertical (as shown above)
Certification .....	UL (AU1502) Inquire for specific ECE approval



# MODEL VFF30 VACUUM FUEL LOCK/FILTER

## FUEL SHUT-OFFS/LOCKOFFS

### DIMENSIONS



MODEL	DIAPHRAGM TYPE	OVERALL HEIGHT	OVERALL WIDTH	OVERALL DEPTH	FRONT OF FUEL LOCK TO		BACK OF FUEL LOCK TO	
					CTR. OF MOUNTING HOLE	MOUNTING HOLES CTR. TO CTR.	CTR. OF FUEL LOCK TO	CTR. OF FUEL OUTLET
<a href="#">VFF30</a>	HYDRIN	109 mm (4.28")	114 mm (4.50")	66.7 mm (2.625")	24 mm (.94")	48mm (1.88")	1/4"-20	37mm (1.44")
<a href="#">VFF30-2</a>	Silicone	109 mm (4.28")	115 mm (4.50")	66.7 mm (2.625")	24 mm (.94")	48mm (1.88")	1/4"-20	37mm (1.44")
VFF30-20-2	Silicone	109 mm (4.28")	114 mm (4.50")	66.7 mm (2.625")	24 mm (.94")	48mm (1.88")	1/4"-20	37mm (1.44")
VFF30-2-4	Silicone	109 mm (4.28")	115 mm (4.50")	66.7 mm (2.625")	24 mm (.94")	48mm (1.88")	1/4"-20	37mm (1.44")
VFF30-2ULC	Silicone	109 mm (4.28")	114 mm (4.50")	66.7 mm (2.625")	24 mm (.94")	48mm (1.88")	1/4"-20	37mm (1.44")
VFF30-3	Fluoro-silicone	109 mm (4.28")	115 mm (4.50")	66.7 mm (2.625")	24 mm (.94")	48mm (1.88")	1/4"-20	37mm (1.44")

MODEL	BACK OF FUEL LOCK TO CTR. OF VACUUM PORT	AIR VALVE VACUUM PORT (NPT)	FUEL OUTLET (NPT)	FUEL INLET (NPT)	PRIMER
	<a href="#">VFF30</a>	32mm (1.25")	1/8"	1/4"	
<a href="#">VFF30-2</a>	32mm (1.25")	1/8"	1/4"	1/4"	
VFF30-20-2	32mm (1.25")	1/8"	1/4"	1/4"	ELECTRIC PRIMER
VFF30-2-4	32mm (1.25")	1/8" w/Check Valve	1/4"	1/4"	MANUAL PRIMER
VFF130-2ULC	32mm (1.25")	1/8"	1/4"	1/4"	
VFF30-3	32mm (1.25")	1/8"	1/4"	1/4"	

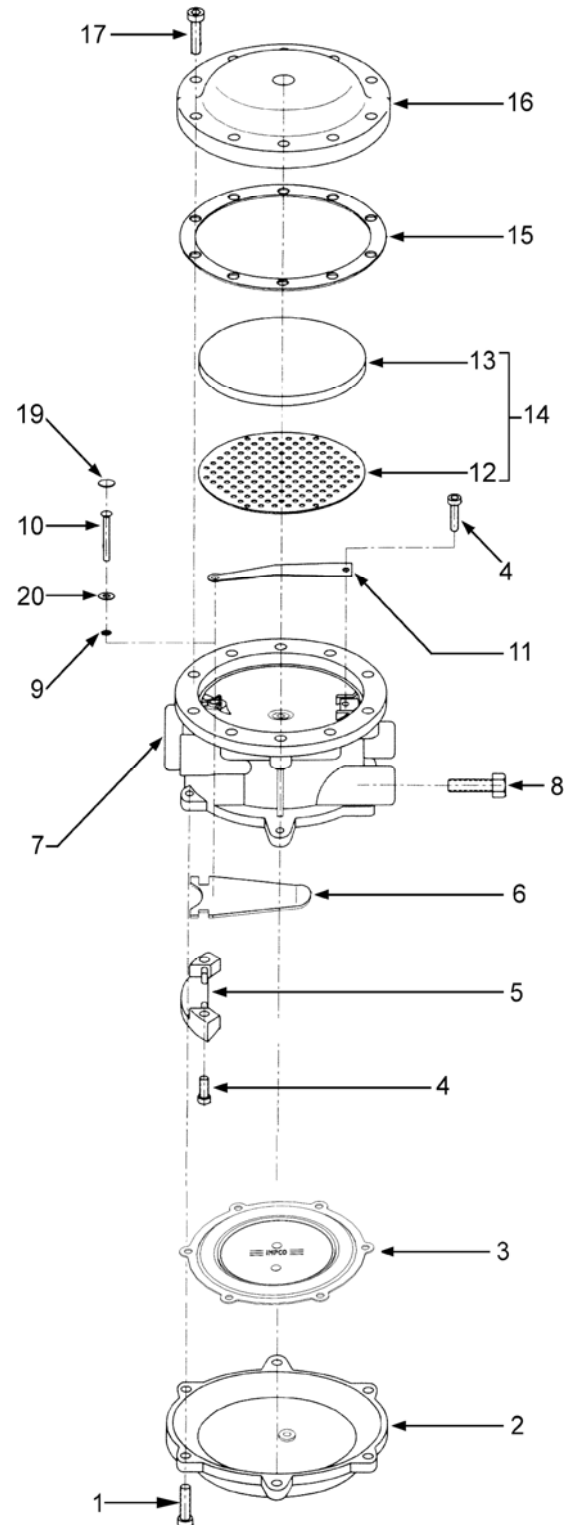
# MODEL VFF30 VACUUM FUEL LOCK/FILTER

## FUEL SHUT-OFFS/LOCKOFFS



### COMPONENTS

ITEM#	PART#	DESCRIPTION
1*	S1-15265-001	Screw, 8-32 Taptite (6)
2	C1-37	Diaphragm cover, (std., VFF30 only) Diaphragm Assy (Hydrin) Diaphragm Assy, Silicone (RK-VFF30)
3*	NSS	Diaphragm Assy, Silicone (RK-VFF30-2)
	NSS	Diaphragm Assy, Flourosilicone (RK-VFF30-3)
4*	NSS	Screw, 8-32 Taptite (3)
5	F3-2	Fulcrum
6	NSS	Valve operating lever
7	NSS	Body ass'y
8	S1-5	Screw, 1/4-20 x 5/8" SEMS (2)
9*	S3-116	Seal, Lip Pin
10*	NSS	Valve, operating pin
11	S2-40	Valve, spring
12*	NSS	Screen, back-up filter
13*	NSS	Filter
14*	NSS	Filter Assy (includes Filter & Screen)
15*	NSS	Filter cover gasket
16	C1-38	Filter cover
17	NSS	Screw, 12-24 Taptite (10)
18	AF4-66	Fitting, ball check, assy (not shown, VFF30-2-4 only)
19*	NSS	Seat, VFF30
20*	NSS	Washer, Seal Retaining



#### NSS = Not Serviced Separately

\* Repair Kit Components. Note that extra screws (both slotted and torx) are included in the repair kits to replace any that may be damaged.



## MODEL VFF30 VACUUM FUEL LOCK/FILTER

### FUEL SHUT-OFFS/LOCKOFFS

#### ACCESSORIES

##### PRIMER

PART#	DESCRIPTION
AC1-57	Cover, VFF30 w/Electric Primer

##### REPAIR KITS

PART#	DESCRIPTION
<a href="#">RK-VFF30</a>	Repair Kit, Hydrin
<a href="#">RK-VFF30-2</a>	Repair Kit, Silicone
RK-VFF30-3	Repair Kit, Fluorosilicone