



Page 1.23-1



Page 1.23-2



Page 1.23-3



Page 1.23-4



Page 1.23-5



Page 1.23-6



Page 1.23-7



Page 1.23-8



Page 1.23-9



Page 1.23-10



Page 1.23-11



Page 1.23-12



Page 1.23-13



Page 1.23-14



Page 1.23-14



Page 1.23-14



Page 1.23-15



Page 1.23-16



Page 1.23-17



Page 1.23-18



Page 1.23-19



Page 1.23-20



Page 1.23-21



Page 1.23-22



Page 1.23-23



Page 1.23-24



Page 1.23-25

Need help determining what seat you need?  
then click here

FORKLIFTS **LESS THAN 20,000 POUNDS** LIFTING CAPACITY**STEP 1.**

Determine cloth or vinyl

**STEP 2.**

Determine what your seat belt configuration is

**STEP 3.**

Check if your seat uses a switch. Which type of connector? Can a pigtail be used? Or is a new connector needed?

**STEP 5.**

Determine if your forklift needs armrests

**STEP 4.**

Determine/measure distance between rails

**KEY THINGS TO REMEMBER**

1. Some forklifts have seat cushions which are replaceable. Many (like Toyota 7-series) are not replaceable.
2. Our seats are made universal and with some slight modifications most can be used on your forklift.

© copyright 2019

FORKLIFTS **MORE THAN 20,000 POUNDS** LIFTING CAPACITY

**STEP 1.**  
Determine cloth or vinyl

**STEP 2.**  
Determine seat belt and  
high back or low back

**STEP 3.**  
Determine if arm rest  
needed only left or right.  
Finger tip controls? etc.

**STEP 6.**  
Check what suspension  
your seat uses Mechanical?  
Air? 12 or 24 Volt?

**STEP 5.**  
Check if your seat uses  
a switch. Which type of  
connector? Can a pigtail  
be used? Or is a new  
connector needed?

**STEP 4.**  
Measure mounting base

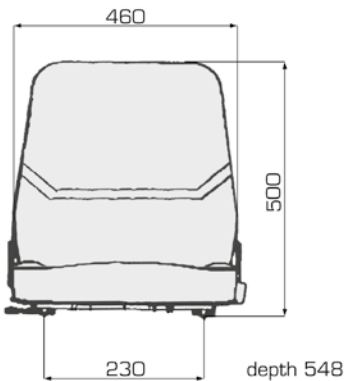


Most large lift trucks have seats which are mounted on a metal base which is part of the lift truck. This is often the most critical dimension to check and the first place to start.





PAN SEAT



TECHNICAL DATA

One piece seat, includes rails. Only available in vinyl.

COMPLETE SEAT

	PVC (vinyl) PART #
Seat standard version	01011060
Seat with safety switch	01011063

ACCESSORIES

	PVC (vinyl) PART #
Seat cushion	Not an option
Seat cushion with switch	Not an option
Back rest cushion	Not an option
Headrest	Not an option
Safety switch	50996
Retractable seatbelt	51034
Retractable seatbelt red	1013030CR
Seatbelt bracket 450 mm	51036
Seatbelt bracket 500 mm	51035
Armrest	Not an option
Set of rails	50997
Operator's manual case	269733
Hip restraint LH	542845
Hip restraint RH	542847
Seat belt extension 24 inch / 60 cm	1013030CL



50996



51034



269733



51036 (450 mm)  
51035 (500 mm)



1013030CR



50997

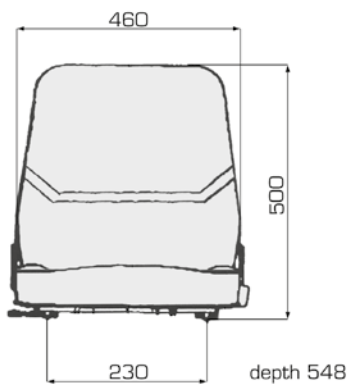


1013030CL



1021030C-E

PAN SEAT



TECHNICAL DATA

One piece seat, includes rails. Only available in vinyl.

COMPLETE SEAT

PVC (vinyl)  
PART #

Seat with hip rests, rails, safety switch,  
seatbelt and operator manual case 01011061

ACCESSORIES

PVC (vinyl)  
PART #

Seat cushion Not an option  
 Seat cushion with switch Not an option  
 Back rest cushion Not an option  
 Headrest Not an option  
 Safety switch 50996  
 Retractable seatbelt 51034  
 Retractable seatbelt red 1013030CR  
 Seatbelt bracket 450 mm 51036  
 Seatbelt bracket 500 mm 51035  
 Armrest Not an option  
 Set of rails 50997  
 Operator's manual case 269733  
 Hip restraint LH 542845  
 Hip restraint RH 542847  
 Seat belt extension 24 inch / 60 cm 1013030CL



50996



269733



51036 (450 mm)  
51035 (500 mm)



50997



1013030CL



51034



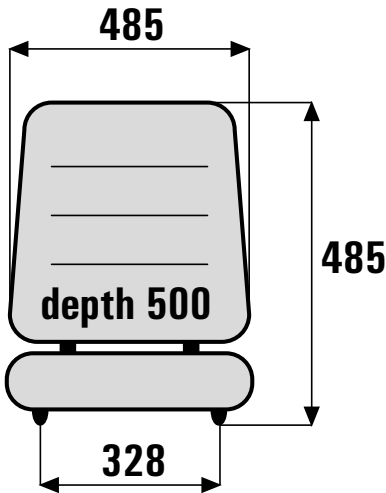
1013030CR



1021030C-E

GS 12

THICKEST VINYL IN THE INDUSTRY!



TECHNICAL DATA

Suspension seat  
 Heavy duty vinyl, 1.3mm thick  
 Weight adjustment from 50 - 120 kgs (110 - 265 lbs) in 3 stages  
 Slide track with adjustment of 150 mm  
 Includes mounting holes for seatbelt bracket

COMPLETE SEAT	PVC (vinyl) PART #	FABRIC (cloth) PART #
Seat standard version	Not an option	Not an option
Seat with safety switch	1012000C-E	1012001C-E

ACCESSORIES	PVC (vinyl) PART #	FABRIC (cloth) PART #
Seat cushion	Not an option	Not an option
Seat cushion with switch	763336	1011043
Back rest cushion	763337	1011045
Headrest	Not an option	Not an option
Safety switch	Standard incl.	Not an option
Retractable seatbelt	51034	Not an option
Retractable seatbelt red	1013030CR	Not an option
Seatbelt bracket 450 mm	Not an option	Not an option
Seatbelt bracket 500 mm	Not an option	Not an option
Armrest	50983	Not an option
Set of rails	269828	Not an option
Operator's manual case	269733	Not an option
Seat belt ext. 24 inch/60 cm	1013030CL	Not an option



SUSPENSION SEAT



TECHNICAL DATA

Full suspension seat  
 Includes 4 springs and gas shock  
 Integrated document bag  
 Includes retractable seat belt  
 Adjustable backrest 30° front/back  
 Weight adjustment from 50-110 kgs 110-242 lbs)  
 61 lbs heavy duty

*Includes rails and micro switch.  
 Suitable for all types of forklifts!*

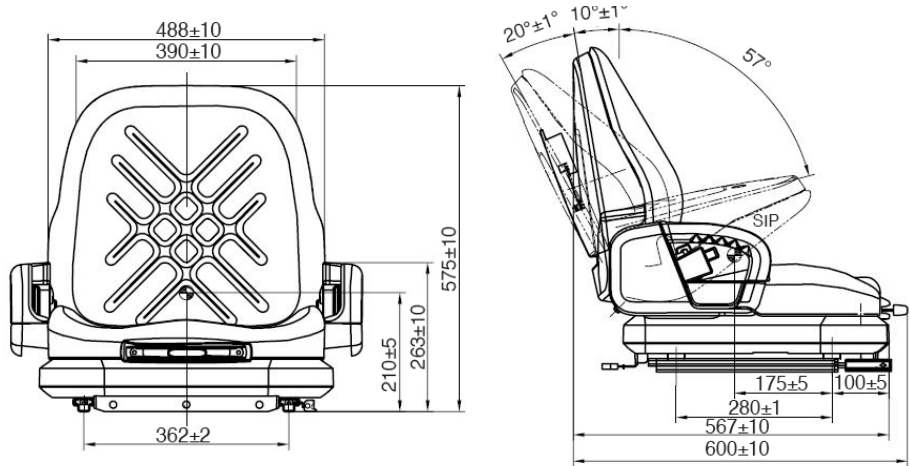


<b>COMPLETE SEAT</b>	<b>PVC (vinyl)</b>
	<b>PART #</b>

Seat with safety switch	01013000
-------------------------	----------

<b>ACCESSORIES</b>	<b>PVC (vinyl)</b>
	<b>PART #</b>

Seat cushion	89430092
Back rest cushion	89430093
Safety switch	66677046 / included
Retractable seatbelt	Included
Set of rails	Included
Operator's manual case	Included



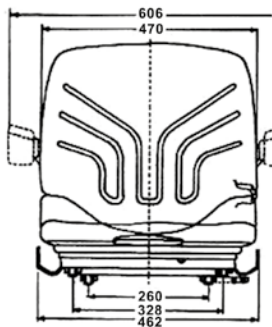
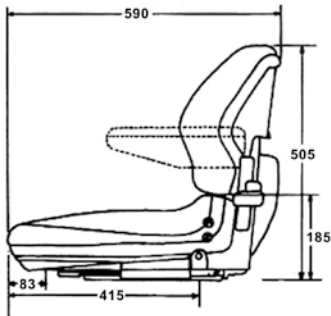
© copyright 2019



MSG 20



SPECIAL ORDER



TECHNICAL DATA

Full suspension seat  
 Weight adjustment from 50 - 130 kgs (110 - 286 lbs) in 3 stages  
 Slide track with adjustment of 150 mm

COMPLETE SEAT	PVC (vinyl) PART #	FABRIC (cloth) PART #
Seat standard version	01011050	Not an option
Seat with safety switch	01011050-E	1011051

ACCESSORIES	PVC (vinyl) PART #	FABRIC (cloth) PART #
Seat cushion	01011052	1011053
Seat cushion with switch	01011052-E	Not an option
Back rest cushion	01011054	1011055
Headrest	Not an option	Not an option
Safety switch	50984	Not an option
Retractable seatbelt	51034	Not an option
Retractable seatbelt red	1013030CR	Not an option
Seatbelt bracket 450 mm	Included	Not an option
Seatbelt bracket 500 mm	Not an option	Not an option
Armrest	50993	Not an option
Set of rails	269828	Not an option
Operator's manual case	269733	Not an option
Seat belt ext. 24 inch/60 cm	1013030CL	Not an option



50984



51034



269733



1013030CR



50997



1013030CL

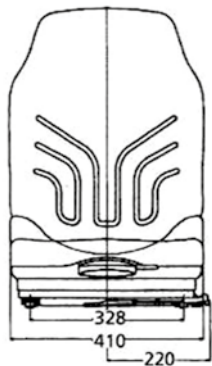
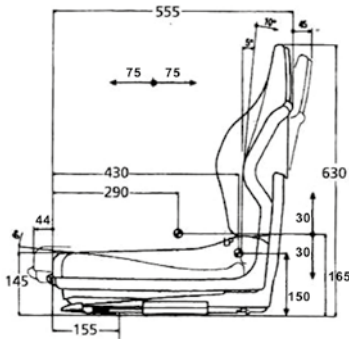


1021030C-E

**MSG 20  
NARROW**



**SPECIAL ORDER**



**TECHNICAL DATA**

Full suspension seat  
Weight adjustment from 50 - 130 kgs (110 - 286 lbs) in 3 stages  
Slide track with adjustment of 150 mm  
Reachtruck application

COMPLETE SEAT	PVC (vinyl) PART #	FABRIC (cloth) PART #
Seat standard version	Not an option	01011059N
Seat with safety switch	1011050N-E	01011059N-E

ACCESSORIES	PVC (vinyl) PART #	FABRIC (cloth) PART #
Seat cushion	1011052N	01011067N
Seat cushion with switch	1011052N-E	Not an option
Back rest cushion	1011054N	Not an option
Headrest	Not an option	Not an option
Safety switch	Standard incl.	Not an option
Retractable seatbelt	51034	51034
Retractable seatbelt red	1013030CR	1013030CR
Seatbelt bracket 450 mm	51036	51036
Seatbelt bracket 500 mm	Not an option	Not an option
Armrest	Not an option	Not an option
Set of rails	269828	269828
Operator's manual case	269733	269733
Seat belt ext. 24 inch/60 cm	1013030CL	1013030CL



SEARS SF 1200



SPECIAL ORDER

TECHNICAL DATA

Full suspension seat  
 Weight adjustment from 50 - 130 kgs (110 - 286 lbs) in 3 stages  
 Slide track with adjustment of 150 mm

COMPLETE SEAT	PVC (vinyl) PART #	FABRIC (cloth) PART #
Seat standard version	01011180	Not an option
Seat with safety switch	Not an option	Not an option

ACCESSORIES	PVC (vinyl) PART #	FABRIC (cloth) PART #
Seat cushion	01011182	Not an option
Seat cushion with switch	Not an option	Not an option
Back rest cushion	01011184	Not an option
Headrest	Not an option	Not an option
Safety switch	61793	Not an option
Retractable seatbelt	51034	Not an option
Retractable seatbelt red	1013030CR	Not an option
Seatbelt bracket 450 mm	Not an option	Not an option
Seatbelt bracket 500 mm	Not an option	Not an option
Restraint LH / RH	273451 / 273452	Not an option
Set of rails	50997	Not an option
Operator's manual case	included	Not an option
Seat belt ext. 24 inch/60 cm	1013030CL	Not an option



51036 (450 mm)  
51035 (500 mm)



51034



1013030CR



50997

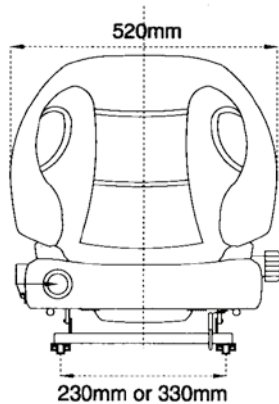
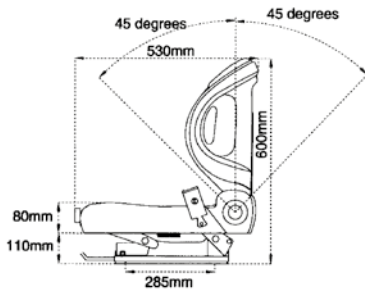


1013030CL



1021030C-E

**VGF-80  
ALL-INCLUSIVE SEAT**



**TECHNICAL DATA**

- Full feature seat
- Integrated document bag
- Includes retractable seat belt
- Dust-proof mantle
- Adjustable backrest 45° front/back
- Weight adjustment from 50 - 130 kgs (110 - 286 lbs)
- Slide track with adjustment of 150 mm

*Includes rails (adjustable 230/330 mm) and micro switch.  
Suitable for all types of forklifts!*

**COMPLETE SEAT                      PVC (vinyl)  
PART #**

Seat with safety switch                      01011080

**ACCESSORIES                              PVC (vinyl)  
PART #**

Seat cushion                                      01011081

Back rest cushion                              01011083

Safety switch                                    01011082 / included

Retractable seatbelt                         51034 / included

Set of rails                                        50997 / included

Operator's manual case                      included

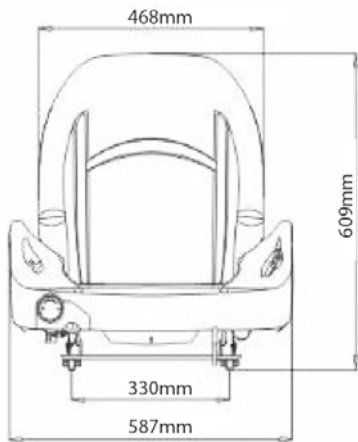
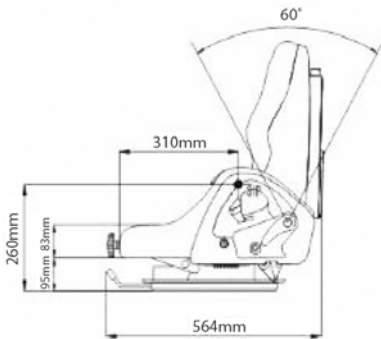


01011081



01011083

**VGF-90  
ALL-INCLUSIVE SEAT**



**TECHNICAL DATA**

- Full option seat
- Integrated document bag
- Retractable safety belt
- Dust-proof mantle
- Adjustable backrest 60° front/back
- Weight adjustment from 50 - 120 kgs (110 - 264 lbs)
- Slide track with adjustment of 150 mm
- Mechanical suspension integrated in cushion
- Damper

*Inclusive rail (adjustable 230/330 mm) and micro switch.*

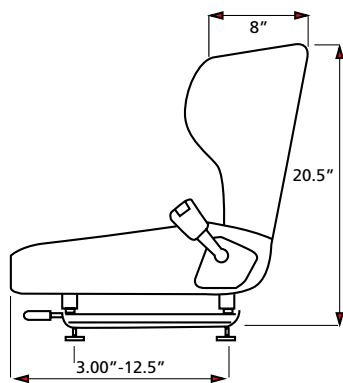
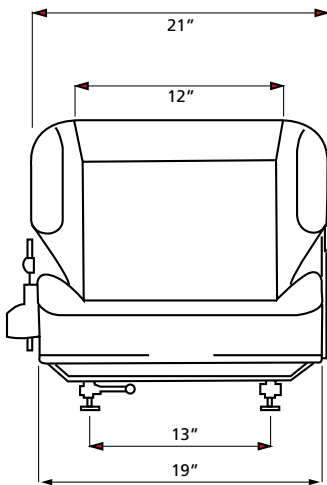
*Suitable for all type of forklifts!*

<b>COMPLETE SEAT</b>	<b>PVC (vinyl) PART #</b>
Seat with safety switch	1012090

<b>ACCESSORIES</b>	<b>PVC (vinyl) PART #</b>
Seat cushion	01012091
Safety switch	included
Retractable seatbelt	51034 / included
Set of rails	50997 / included
Operator's manual case	included



TY-1



TECHNICAL DATA

Semi suspension seat  
**INCLUDES SEAT BELT**  
 Vinyl

COMPLETE SEAT

PVC (vinyl)  
 PART #

Seat with seatbelt, no switch 1014000C  
 Seat with seatbelt and switch 89199586

ACCESSORIES

PVC (vinyl)  
 PART #

Switch 66677046  
 Retractable seatbelt black 51034  
**Retractable seatbelt red 1013030CR**  
 Set of rails included  
 Operator's manual case included  
 Seat belt ext. 24 inch/60 cm 1013030CL



66677046



51036 (450 mm)  
 51035 (500 mm)



51034



1013030CR



50997



1013030CL



1021030C-E

VINYL



TECHNICAL DATA

Adjustable backrest 25° front/back  
 Weight adjustment from 45 - 136 kgs  
 Slide track with adjustment of 152 mm  
 Full suspension

COMPLETE SEAT

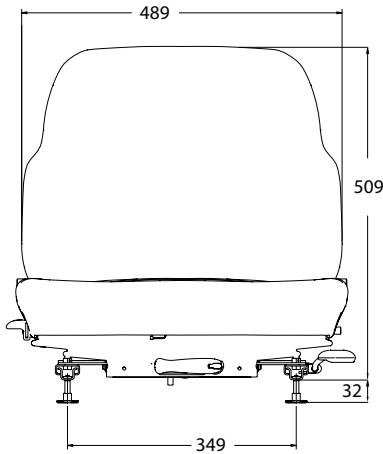
PVC (vinyl)  
 PART #

Seat with safety switch 592075

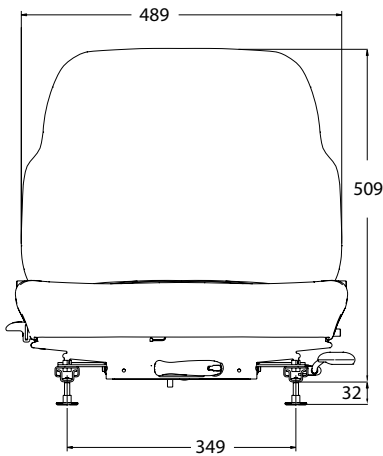
ACCESSORIES

PVC (vinyl)  
 PART #

Seat bottom cushion 297752  
 Seat bottom cushion w/switch 734517  
 Back rest cushion 719937  
 Safety switch Not sold separately  
 Seat belt 739163



CLOTH



TECHNICAL DATA

Adjustable backrest 25° front/back  
 Weight adjustment from 45 - 136 kgs  
 Slide track with adjustment of 152 mm  
 Full suspension

COMPLETE SEAT

FABRIC (cloth)  
 PART #

Seat with safety switch 592073

ACCESSORIES

FABRIC (cloth)  
 PART #

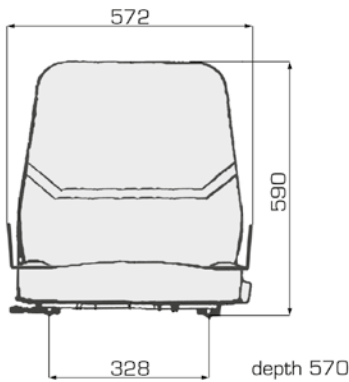
Seat bottom cushion 722505  
 with switch Not an option  
 Back rest cushion 719939  
 Safety switch not sold separately  
 Seat belt 739163



739163



**UNIVERSAL  
FLIP FORWARD SEAT**



**TECHNICAL DATA**  
Flip forward seat  
Vinyl only

COMPLETE SEAT	PVC (vinyl) PART #
Seat with safety switch	89139281

ACCESSORIES	PVC (vinyl) PART #
Seat cushion	Not an option
Seat cushion with switch	Not an option
Back rest cushion	Not an option
Headrest	Not an option
Safety switch	Not sold seperatly
Retractable seatbelt	51034
Retractable seatbelt red	1013030CR
Mounting bracket 450 mm	51036
Mounting bracket 500 mm	51035
Armrests	Not an option
Set of rails	50997
Seat belt ext. 24 inch/60 cm	1013030CL



51036 (450 mm)  
51035 (500 mm)



51034



1013030CR



1013030CL



1021030C-E

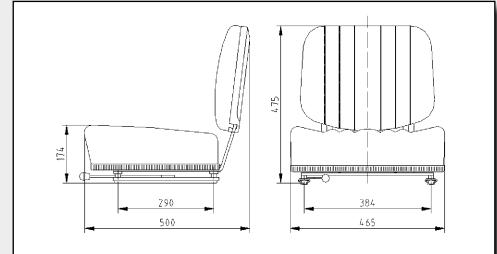


### UNIVERSAL SEAT ASSEMBLY

PART# 1015000C

**Specifications:**

- Universal design specifically for industrial applications.
- Freeze formed vacuum cushions & back rests.
- Fore/aft adjustment - 5" (100 mm)
- Adjuster width - 15" (384 mm)
- Bolt hole spacing front to back - 11" (290mm)



### UNIVERSAL SEAT

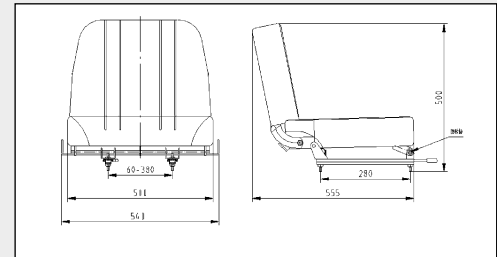
PART# 1018000C

**Specifications:**

- Heavy duty 7/8" tubular frame
- Seat belt brackets
- Folding back rest
- Seat tilts forward
- 6" fore/aft adjusters 11" O/C front to rear mount
- 5" to 15 1/2" lateral adjustment

Hyster Unisource 3022576  
Yale 150016903

**Seatbelt is an option**

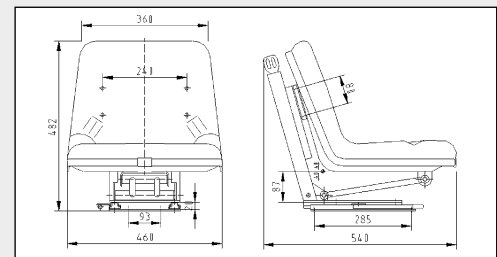


PART# 1015050C

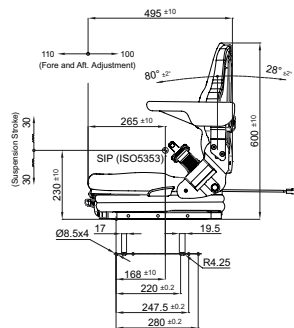
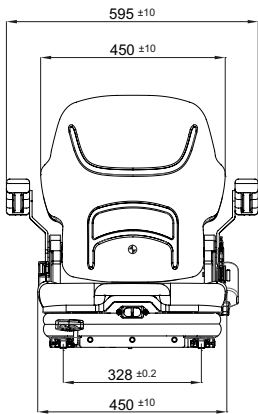
**Specifications:**

- One piece cushion & back rest
- Self draining seat
- Low profile back rest
- Heavy duty vinyl with seamless molded construction
- Steel shell with protective edge trim

Clark 1801806  
Clark 997197  
Toyota Starlift 00591-32833-81



OP1502/OP1552



TECHNICAL DATA

- Air suspension with 12V built-in compressor and heater
- Weight adjustment Automatic up to 150 kgs.
- Suspension stroke 60 mm
- Slide travel 210 mm
- Fold-up and adjustable armrests
- Headrest
- Adjustable and foldable backrest
- Seat belt
- Operator presence switch
- Standard connection width 328 mm



COMPLETE SEAT

COMPLETE SEAT	PART #
Seat with safety switch <b>Vinyl</b>	<b>01011502</b>
Seat with safety switch <b>Cloth</b>	<b>01011552</b>

ACCESSORIES

ACCESSORIES	PART #
Retractable seatbelt	01013030C
Retractable seatbelt red	01013030CR
Retractable seatbelt with switch	01023030CE
Armrests	01013500
Headrest <b>Vinyl</b>	01012500
Headrest <b>Cloth</b>	01012550
Operator's manual case	01011069





OP1501/OP1551



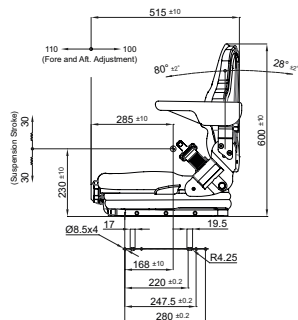
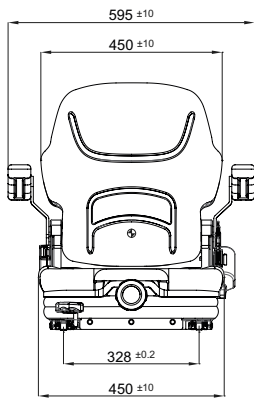
TECHNICAL DATA

- Mechanical suspension
- Weight adjustment Manual up to 150 kgs.
- Suspension stroke 60 mm
- Slide travel 210 mm
- Adjustable and foldable backrest
- Seat belt
- Operator presence switch
- Standard connection width 328 mm



COMPLETE SEAT	PART #
Seat with safety switch <b>Vinyl</b>	<b>01011501</b>
Seat with safety switch <b>Cloth</b>	<b>01011551</b>

ACCESSORIES	PART #
Retractable seatbelt	01013030C
Retractable seatbelt red	01013030CR
Retractable seatbelt with switch	01023030CE
Armrests	01013500
Headrest <b>Vinyl</b>	01012500
Headrest <b>Cloth</b>	01012550
Operator's manual case	01011069



OP1550

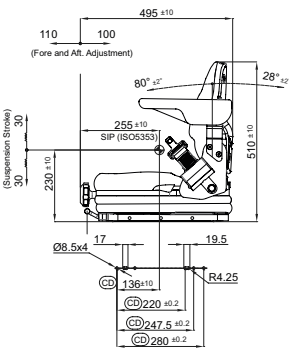
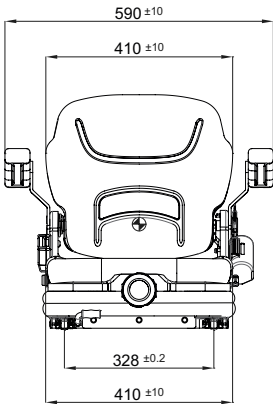


TECHNICAL DATA

- Mechanical suspension
- Weight adjustment Manual up to 150 kgs.
- Suspension stroke 60 mm
- Slide travel 210 mm
- Adjustable and foldable backrest
- Standard connection width 328 mm
- Operator presence switch
- Suitable for reachtruck

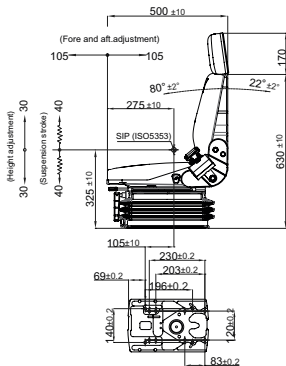
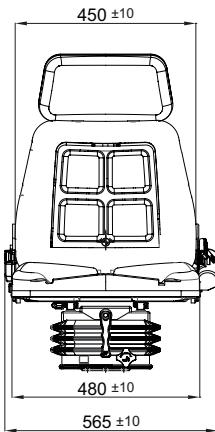
SEAT	PART #
Seat with safety switch <b>Cloth</b>	<b>01011550</b>

ACCESSORIES	PART #
Retractable seatbelt	01013030C
Retractable seatbelt red	01013030CR
Retractable seatbelt with switch	01023030CE
Armrests	01013500
Headrest <b>Cloth</b>	01012550
Operator's manual case	01011069





OP1700/OP1750



TECHNICAL DATA

- Mechanical suspension
- Weight adjustment Manual up to 150 kgs.
- Suspension stroke 80 mm
- Height adjustment 60 mm
- Slide travel 210 mm
- Foldable armrests / Adjustable armrests
- Headrest, Adjustable and foldable backrest
- 2 point seat belt
- Front Controls
- Slides between seat top and suspension
- Standard connection widths 120 mm and 140 mm



COMPLETE SEAT

COMPLETE SEAT	PART #
Seat <b>Vinyl</b>	<b>01011700</b>
Seat <b>Cloth</b>	<b>01011750</b>

ACCESSORIES

ACCESSORIES	PART #
Retractable seatbelt	01013030C
Retractable seatbelt red	01013030CR
Retractable seatbelt with switch	01023030CE
Armrests	01013600
Headrest <b>Vinyl</b>	01012500
Headrest <b>Cloth</b>	01012550
Operator's manual case	01011069



01011067	01023032 450mm	01023031 500mm	01011064	01011069
01013030C	01013030CR	01023030C-E	01011048	01011046
01012500	01012550	01013500	01013600	01014049

OP1701/OP1751



TECHNICAL DATA

With Headrest  
 With A5 Armrest  
 B27 1.EKM.026 2 point ALR seat belt  
 V1 Black vinyl upholstery / C16 Fortuna Grey cloth upholstery  
 Suspension type is mechanical

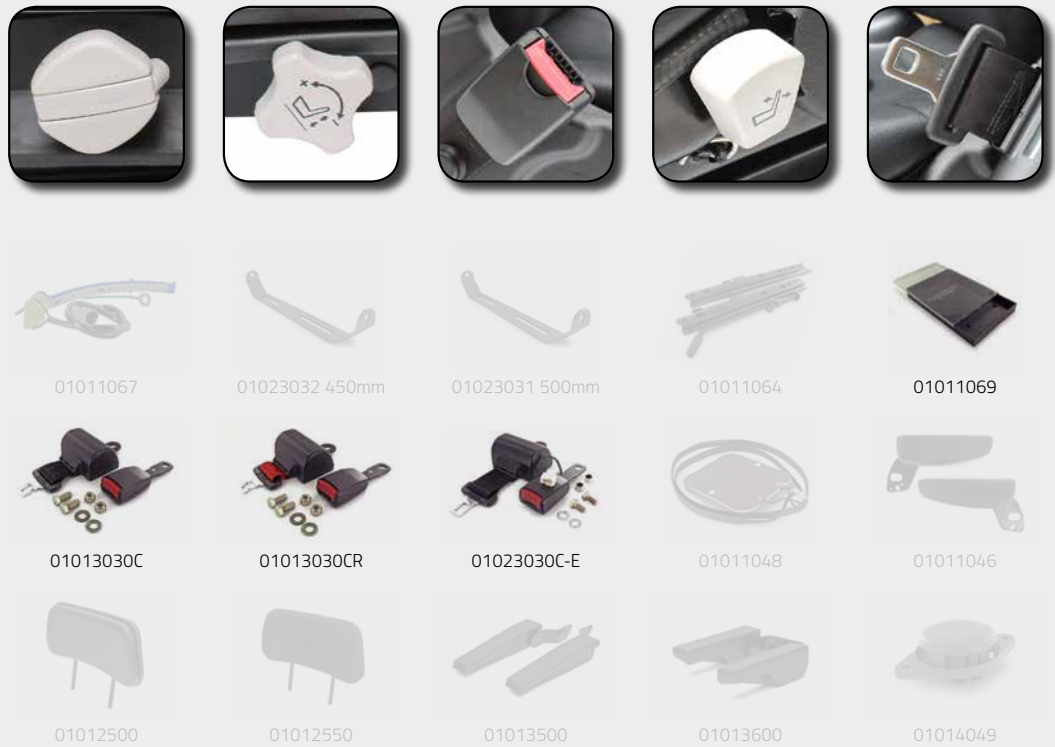
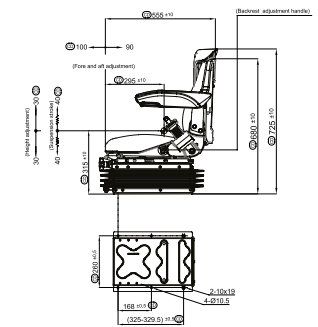
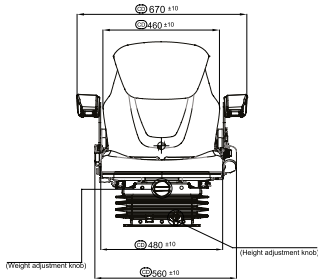


COMPLETE SEAT

COMPLETE SEAT	PART #
Seat <b>Vinyl</b>	<b>01011701</b>
Seat <b>Cloth</b>	<b>01011751</b>

ACCESSORIES

ACCESSORIES	PART #
Retractable seatbelt	01013030C
Retractable seatbelt red	01013030CR
Retractable seatbelt with switch	01023030CE
Operator's manual case	01011069





OP1752

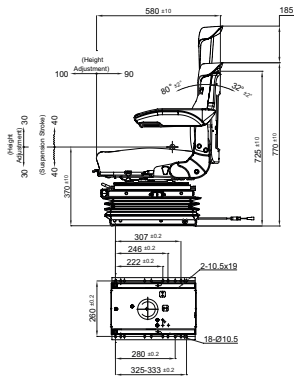
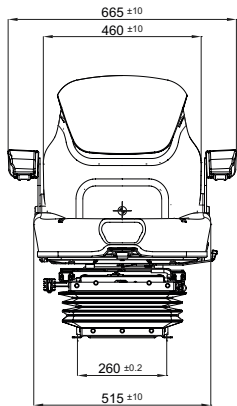


TECHNICAL DATA

- Air suspension with 12V built-in compressor
- Weight adjustment Automatic up to 150 kgs.
- Suspension stroke 80 mm
- Height adjustment 60 mm
- Slide travel 190 mm
- Foldable armrests / Adjustable armrests
- Adjustable integrated headrest
- Adjustable and foldable backrest
- Seat cushion depth adjustment
- 2 point seat belt
- LH Controls
- Slides between seat top and suspension
- Standard connection width 260 mm

**COMPLETE SEAT**                      **PART #**  
 Seat with safety switch **Cloth**      **01011752**

**ACCESSORIES**                      **PART #**  
 Retractable seatbelt                      01013030C  
 Retractable seatbelt red                      01013030CR  
 Retractable seatbelt with switch                      01023030CE  
 Operator's manual case                      01011069



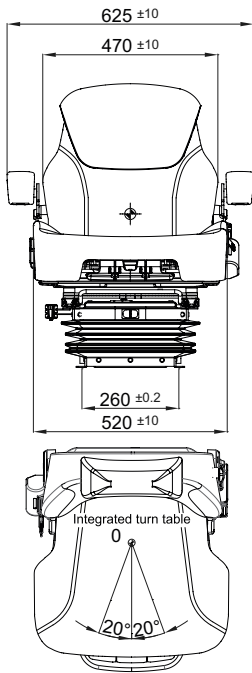


OP1754



TECHNICAL DATA

- Air suspension with 12V built-in compressor
- Weight adjustment Automatic up to 150 kgs.
- Suspension stroke 100 mm, Height adjustment 60 mm
- Turn Table
- Adjustable shock absorber
- Horizontal isolator
- Slide travel 190 mm
- Adjustable and foldable armrests
- Adjustable integrated headrest
- Adjustable and foldable backrest
- Seat cushion tilt adjustment and depth adjustment
- 2 point seat belt
- Front Controls
- Slides between seat top and suspension
- Standard connection width 260 mm



COMPLETE SEAT

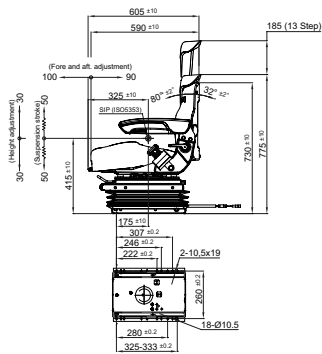
PART #

Seat **Cloth** **01011754**

ACCESSORIES

PART #

- Retractable seatbelt 01013030C
- Retractable seatbelt red 01013030CR
- Retractable seatbelt with switch 01023030CE
- Operator's manual case 01011069





**OP1603**



**TECHNICAL DATA**

Mechanical suspension  
 Weight adjustment Manual up to 130 kgs.  
 Suspension stroke 80 mm  
 Height adjustment 60 mm  
 Slide travel 150 mm  
 Angled mounting possible

**COMPLETE SEAT**

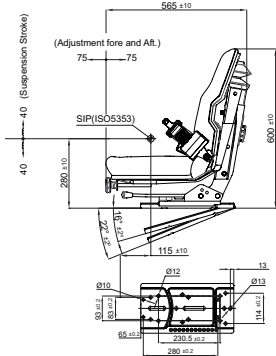
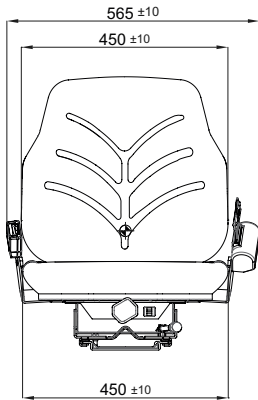
Seat **Vinyl**

**PART #**

**01011603**

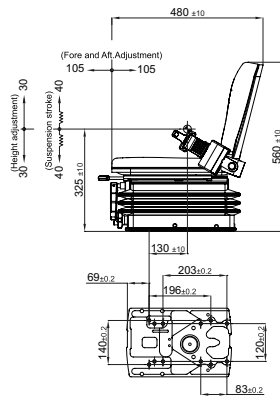
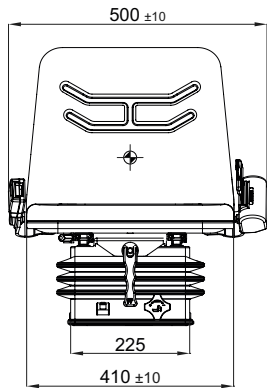
**ACCESSORIES**

ACCESSORIES	PART #
Retractable seatbelt	01013030C
Retractable seatbelt red	01013030CR
Retractable seatbelt with switch	01023030CE
Operator's manual case	01011069



© copyright 2019

OP1600



TECHNICAL DATA

- Mechanical suspension
- Weight adjustment Manual up to 150 kgs.
- Suspension stroke 80 mm
- Height adjustment 60 mm
- Slide travel 210 mm
- Front Controls
- Slides between seat top and suspension
- Standard connection widths 120 mm and 140 mm

COMPLETE SEAT

Seat **Vinyl** **PART # 01011600**

ACCESSORIES

- Retractable seatbelt **PART # 01013030C**
- Retractable seatbelt red **01013030CR**
- Retractable seatbelt with switch **01023030CE**
- Operator's manual case **01011069**





**OP1602**



**TECHNICAL DATA**

Mechanical suspension  
 Weight adjustment Manual up to 140 kgs.  
 Suspension stroke 80 mm  
 Height adjustment 60 mm  
 Slide travel 150 mm



**COMPLETE SEAT**

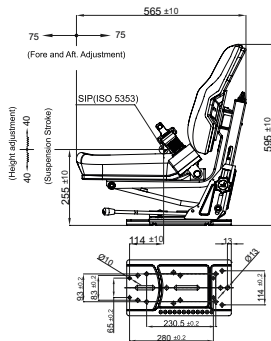
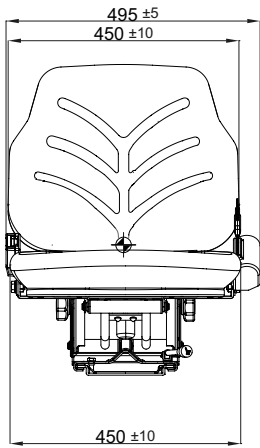
Seat **Vinyl**

**PART #**

**01011602**

**ACCESSORIES**

ACCESSORIES	PART #
Retractable seatbelt	01013030C
Retractable seatbelt red	01013030CR
Retractable seatbelt with switch	01023030CE
Operator's manual case	01011069

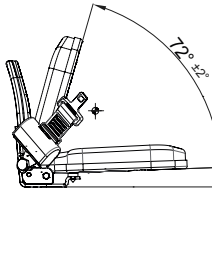
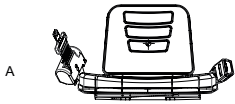
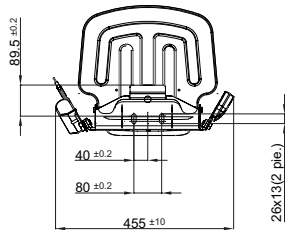




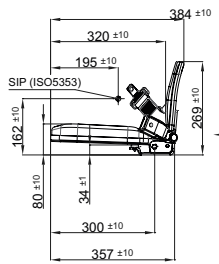
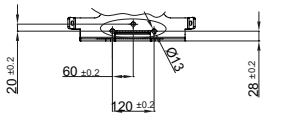
OP1800

TECHNICAL DATA

Fold up seat cushion  
 Vinyl trim (Vacuum type)  
 2 Point seat belt



View A



SEAT	PART #
Seat <b>Cloth</b>	<b>01011800</b>

ACCESSORIES	PART #
Retractable seatbelt	01013030C
Retractable seatbelt red	01013030CR
Retractable seatbelt with switch	01023030CE
Operator's manual case	01011069



01011067



01023032 450mm



01023031 500mm



01011064



01011069



01013030C



01013030CR



01023030CE



01011048



01011046



01012500



01012550



01013500



01013600



01014049

