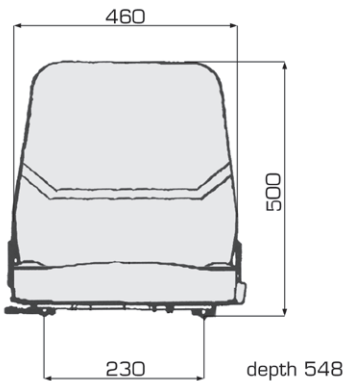


PAN SEAT



TECHNICAL DATA

One piece seat, includes rails. Only available in vinyl.

COMPLETE SEAT

	PVC (vinyl) PART #
Seat standard version	01011060
Seat with safety switch	01011063
Seat w/hip restraints, rails, seatbelt and operator manual case	12779

ACCESSORIES

	PVC (vinyl) PART #
Seat cushion	Not an option
Seat cushion with switch	Not an option
Back rest cushion	Not an option
Headrest	Not an option
Safety switch	50996
Retractable seatbelt	51034
Retractable seatbelt red	1013030CR
Seatbelt bracket 450 mm	51036
Seatbelt bracket 500 mm	51035
Armrest	Not an option
Set of rails	50997
Operator's manual case	269733
Hip restraint LH	542845
Hip restraint RH	542847
Seat belt extension 24 inch / 60 cm	1013030CL



50996



51034



269733



51036 (450 mm)
51035 (500 mm)



1013030CR



50997



1013030CL



1021030C-E