

CONTROLLER COMPONENTS

Truck Model	Serial Number Prefixes/Ranges	Replacement Control Panel	Replacement Logic Card	Voltage
2FBC15	A2BC1 - 20001 - 29999	97C5601400	97C5701800	36/48 VOLT
2FBC15	A2BC1 - 30001 - 39999	97C5601500	97C5701900 *	36/48 VOLT
2FBC15	A2BC1 - 60001 - 79999	97C5450200	RM00000090	36/48 VOLT
2FBC18	A2BC1 - 20001 - 29999	97C5601400	97C5701800	36/48 VOLT
2FBC18	A2BC1 - 30001 - 39999	97C5601500	97C5701900 *	36/48 VOLT
2FBC18	A2BC1 - 60001 - 79999	97C5450200	RM00000090	36/48 VOLT
2FBC20	A2BC2 - 20001 - 29999	97C5601400	97C5701800	36/48 VOLT
2FBC20	A2BC2 - 30001 - 39999	97C5601500	97C5701900 *	36/48 VOLT
2FBC20	A2BC2 - 60001 - 79999	97C5450200	RM00000090	36/48 VOLT
2FBC25	A2BC2 - 20001 - 29999	97C5601400	97C5701800	36/48 VOLT
2FBC25	A2BC2 - 30001 - 39999	97C5601500	97C5701900 *	36/48 VOLT
2FBC25	A2BC2 - 60001 - 79999	97C5450200	RM00000090	36/48 VOLT
2FBC25E	A2BC3 - 20001 - 29999	97C5601400	97C5701800	36/48 VOLT
2FBC25E	A2BC3 - 30001 - 39999	97C5601500	97C5701900 *	36/48 VOLT
2FBC25E	A2BC3 - 60001 - 79999	97C5450200	RM00000090	36/48 VOLT
2FBC30	A2BC3 - 20001 - 29999	97C5601400	97C5701800	36/48 VOLT
2FBC30	A2BC3 - 30001 - 39999	97C5601500	97C5701900 *	36/48 VOLT
2FBC30	A2BC3 - 60001 - 79999	97C5450200	RM00000090	36/48 VOLT
FBC15	AFB1 - 50401 - 59999	9712230050	9712406800	36/48 VOLT
FBC20	AFB2 - 00203 - 09999	9712230050	9712406800	36/48 VOLT
FBC20FW	AFB2A - 00011 - 09999	9712230060	9712406800	36/48 VOLT
FBC25	AFB2 - 50353 - 59999	9712230050	9712406800	36/48 VOLT
FBC25FW	AFB2A - 50005 - 59999	9712230060	9712406800	36/48 VOLT
FBC25OBC	AFB2 - 90001 - 99999	9712230050	9712406800	36/48 VOLT
FBC30	AFB3 - 00067 - 09999	9712230050	9712406800	36/48 VOLT
FBC30FW	AFB3A - 00011 - 09999	9712230060	9712406800	36/48 VOLT
FBS15	1AN	1182300	97C5703200	36 VOLT
FBS15	9XN	1182380	97C5703200	48 VOLT
FBS18	4HM	1182380	97C5703200	48 VOLT
FBS18	7FM	1182300	97C5703200	36 VOLT
FBS20	4HM	1182380	97C5703200	48 VOLT
FBS20	7FM	1182300	97C5703200	36 VOLT

ABBREVIATION KEY:

FW - Field Weakening; OBC - Oversize Battery Compartment

*Serial 30001 – 39999 uses hydraulic card & traction card. Traction card part number is the same as for serial 20001 – 29999.

CONTROLLER COMPONENTS STAND UP END CONTROL

Truck Model	Voltage	Serial Number Prefixes/Ranges	Power Amplifier	Translator Card	Interface
FBC15KS	36 VOLT	1FBCKS0200-9999	GS0000052	GC0000125	GS0000117
FBC18KS	36 VOLT	1FBCKS0200-9999	GS0000052	GC0000125	GS0000117
FBC20KS	36 VOLT	1FBCKS0200-9999	GS0000052	GC0000125	GS0000117
FBC25KS	36 VOLT	1FBCKS0200-9999	GS0000052	GC0000125	GS0000117

CONTROLLER COMPONENTS 3 WHEEL ELECTRIC

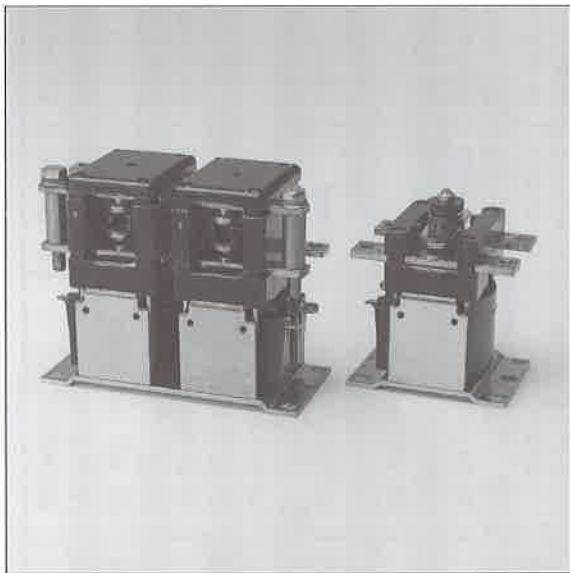
Truck Model	Voltage	Serial Number Prefixes/Ranges	Chopper Control Panel	Chopper Logic Card
FB16KT	48 VOLT	EFB4A-00011-99999	16A5030010	16A5025101
	36 VOLT	EFB4B-00011-99999	16A5030030	16A5025301
FB18KT	48 VOLT	EFB5A-00011-49999	16A5030010	16A5025101
	36 VOLT	EFB5B-00011-49999	16A5030030	16A5025301
FB20KT	48 VOLT	EFB5A-50001-99999	16A5030010	16A5025101
	36 VOLT	EFB5B-50001-99999	16A5030030	16A5025301



TIP



BRIDGE



ASSEMBLY



KIT

CONTACTOR COMPONENTS

Truck Model	Serial Number Prefixes/Ranges	Description	Direction Fwd/Rev	By-Pass	Dual Motor	Line Contactor	Steer Contactor	Hydraulic Pump Motor	Regen Braking	Field Weakening
2FBC15	A2BC1 - 20001 - 29999	KIT (NOT AVAILABLE)								
2FBC15		TIP OR BRIDGE	9712308100	9712309300			9712309600	9712309300	9712309300	
2FBC15		ASSEMBLY	9712402600	9712402700			9712406500	9712406700	9712402700	
2FBC15	A2BC1 - 30001 - 39999	ASSEMBLY	9712402600	9712402700			9712406500	9712402700	9712402700	
2FBC15		KIT (NOT AVAILABLE)								
2FBC15		TIP OR BRIDGE	9712308100	9712309300			9712309600	9712309300	9712309300	
2FBC15	A2BC1 - 60001 - 79999	ASSEMBLY	0835844	6R8594		6R8594		6R8594		
2FBC15		KIT	0918780	6R8567		6R8567		6R8567		
2FBC15		TIP OR BRIDGE	0362318							
2FBC18	A2BC1 - 20001 - 29999	ASSEMBLY	9712402600	9712402700			9712406500	9712406700	9712402700	
2FBC18		KIT (NOT AVAILABLE)								
2FBC18		TIP OR BRIDGE	9712308100	9712309300			9712309600	9712309300	9712309300	
2FBC18	A2BC1 - 30001 - 39999	KIT (NOT AVAILABLE)								
2FBC18		TIP OR BRIDGE	9712308100	9712309300			9712309600	9712309300	9712309300	
2FBC18		ASSEMBLY	9712402600	9712402700			9712406500	9712402700	9712402700	
2FBC18	A2BC1 - 60001 - 79999	KIT	0918780	6R8567		6R8567		6R8567		
2FBC18		TIP OR BRIDGE	0362318							
2FBC18		ASSEMBLY	0835844	6R8594		6R8594		6R8594		
2FBC20	A2BC2 - 20001 - 29999	ASSEMBLY	9712402600	9712402700			9712406500	9712406700	9712402700	
2FBC20		KIT (NOT AVAILABLE)								
2FBC20		TIP OR BRIDGE	9712308100	9712309300			9712309600	9712309300	9712309300	
2FBC20	A2BC2 - 30001 - 39999	ASSEMBLY	9712402600	9712402700			9712406500	9712402700	9712402700	
2FBC20		KIT (NOT AVAILABLE)								
2FBC20		TIP OR BRIDGE	9712308100	9712309300			9712309600	9712309300	9712309300	
2FBC20	A2BC2 - 60001 - 79999	ASSEMBLY	0835844	6R8594		6R8594		6R8594	6R8594	
2FBC20		KIT	0918780	6R8567		6R8567		6R8567	6R8567	
2FBC20		TIP OR BRIDGE	0362318							
2FBC25	A2BC2 - 20001 - 29999	KIT (NOT AVAILABLE)								
2FBC25		TIP OR BRIDGE	9712308100	9712309300			9712309600	9712309300	9712309300	
2FBC25		ASSEMBLY	9712402600	9712402700			9712406500	9712406700	9712402700	
2FBC25	A2BC2 - 30001 - 39999	KIT (NOT AVAILABLE)								
2FBC25		TIP OR BRIDGE	9712308100	9712309300			9712309600	9712309300	9712309300	
2FBC25		ASSEMBLY	9712402600	9712402700			9712406500	9712402700	9712402700	

ABBREVIATION KEY:

- Not currently available.

CONTACTOR COMPONENTS

Truck Model	Serial Number Prefixes/Ranges	Description	Direction Fwd/Rev	By-Pass	Dual Motor	Line Contactor	Steer Contactor	Hydraulic Pump Motor	Regen Braking	Field Weakening
2FBC25 (cont.)	A2BC2 - 60001 - 79999	ASSEMBLY	0835844	6R8594		6R8594		6R8594	6R8594	
2FBC25		KIT	0918780	6R8567		6R8567		6R8567	6R8567	
2FBC25		TIP OR BRIDGE	0362318							
2FBC25E	A2BC3 - 20001 - 29999	ASSEMBLY	9712402600	9712402700			9712406500	9712406700	9712402700	
2FBC25E		KIT (NOT AVAILABLE)								
2FBC25E		TIP OR BRIDGE	9712308100	9712309300			9712309600	9712309300	9712309300	
2FBC25E	A2BC3 - 30001 - 39999	ASSEMBLY	9712402600	9712402700			9712406500	9712402700	9712402700	
2FBC25E		KIT (NOT AVAILABLE)								
2FBC25E		TIP OR BRIDGE	9712308100	9712309300			9712309600	9712309300	9712309300	
2FBC25E	A2BC3 - 60001 - 79999	ASSEMBLY	0835844	6R8594		6R8594		6R8594	6R8594	
2FBC25E		KIT	0918780	6R8567		6R8567		6R8567	6R8567	
2FBC25E		TIP OR BRIDGE	0362318							
2FBC30	A2BC3 - 20001 - 29999	ASSEMBLY	9712402600	9712402700			9712406500	9712406700	9712402700	
2FBC30		KIT (NOT AVAILABLE)								
2FBC30		TIP OR BRIDGE	9712308100	9712309300			9712309600	9712309300	9712309300	
2FBC30	A2BC3 - 30001 - 39999	ASSEMBLY	9712402600	9712402700			9712406500	9712402700	9712402700	
2FBC30		KIT (NOT AVAILABLE)								
2FBC30		TIP OR BRIDGE	9712308100	9712309300			9712309600	9712309300	9712309300	
2FBC30	A2BC3 - 60001 - 79999	ASSEMBLY	0835844	6R8594		6R8594		6R8594	6R8594	
2FBC30		KIT	0918780	6R8567		6R8567		6R8567	6R8567	
2FBC30		TIP OR BRIDGE	0362318							
FB16KT	EFB4A - 00011 - 99999	ASSEMBLY				0584008300			0584008300	
FB16KT		TIP KIT				16A5007500			16A5007500	
FB16KT	EFB4B - 00011 - 99999	TIP KIT				16A5007500			16A5007500	
FB16KT		ASSEMBLY				0584008300			0584008300	
FB18KT	EFB5A - 00011 - 49999	ASSEMBLY				0584008300			0584008300	
FB18KT		TIP KIT				16A5007500			16A5007500	
FB18KT	EFB5B - 00011 - 49999	ASSEMBLY				0584008300			0584008300	
FB18KT		TIP KIT				16A5007500			16A5007500	
FB20KT	EFB5A - 50001 - 99999	ASSEMBLY				0584008300			0584008300	
FB20KT		TIP KIT				16A5007500			16A5007500	

ABBREVIATION KEY:

- Not currently available.

CONTACTOR COMPONENTS

Truck Model	Serial Number Prefixes/Ranges	Description	Direction Fwd/Rev	By-Pass	Dual Motor	Line Contactor	Steer Contactor	Hydraulic Pump Motor	Regen Braking	Field Weakening
FB20KT (cont.)	EFB5B - 50001 - 99999	ASSEMBLY				0584008300			0584008300	
FB20KT		TIP KIT				16A5007500			16A5007500	
FBC15	AFB1 - 50401 - 59999	ASSEMBLY	9712402600	9712402700			9712402800	9712206700	9712402700	
FBC15		KIT (NOT AVAILABLE)								
FBC15		TIP OR BRIDGE	9712308100	9712309300			9712309600	9712309300	9712309300	
FBC15KS	1FBCKS0200 - 9999	ASSEMBLY								
FBC15KS		KIT								
FBC18KS		ASSEMBLY								
FBC18KS		KIT								
FBC20	AFB2 - 00203 - 09999	KIT (NOT AVAILABLE)								
FBC20		TIP OR BRIDGE	9712308100	9712309300			9712309600	9712309300	9712309300	
FBC20		ASSEMBLY	9712402600	9712402700			9712402800	9712206700	9712402700	
FBC20FW	AFB2A - 00011 - 09999	ASSEMBLY	9712402600	9712402700			9712402800	9712206700	9712402700	9712406500
FBC20FW		KIT (NOT AVAILABLE)								
FBC20FW	AFB2A - 00011 - 09999	TIP OR BRIDGE	9712308100	9712309300			9712309600	9712309300	9712309300	
FBC20KS	1FBCKS0200 - 9999	ASSEMBLY								
FBC20KS		KIT								
FBC25	AFB2 - 50353 - 59999	ASSEMBLY	9712402600	9712402700			9712402800	9712206700	9712402700	
FBC25		KIT (NOT AVAILABLE)								
FBC25		TIP OR BRIDGE	9712308100	9712309300			9712309600	9712309300	9712309300	
FBC25FW	AFB2A - 50005 - 59999	TIP OR BRIDGE	9712308100	9712309300			9712309600	9712309300	9712309300	
FBC25FW		ASSEMBLY	9712402600	9712402700			9712402800	9712206700	9712402700	9712406500
FBC25FW		KIT (NOT AVAILABLE)								
FBC25KS	1FBCKS0200 - 9999	KIT								
FBC25KS		ASSEMBLY								
FBC25OBC	AFB2 - 90001 - 99999	ASSEMBLY	9712402600	9712402700			9712402800	9712206700	9712402700	
FBC25OBC		KIT (NOT AVAILABLE)								
FBC25OBC		TIP OR BRIDGE	9712308100	9712309300			9712309600	9712309300	9712309300	
FBC30	AFB3 - 00067 - 09999	ASSEMBLY	9712402600	9712402700			9712402800	9712206700	9712402700	
FBC30		KIT (NOT AVAILABLE)								
FBC30		TIP OR BRIDGE	9712308100	9712309300			9712309600	9712309300	9712309300	

ABBREVIATION KEY:

FW - Field Weakening; OBC - Oversize Battery Compartment

- Not currently available.

CONTACTOR COMPONENTS

Truck Model	Serial Number Prefixes/Ranges	Description	Direction Fwd/Rev	By-Pass	Dual Motor	Line Contactor	Steer Contactor	Hydraulic Pump Motor	Regen Braking	Field Weakening
FBC30FW	AFB3A - 00011 - 09999	ASSEMBLY	9712402600	9712402700			9712402800	9712206700	9712402700	9712406500
FBC30FW		KIT (NOT AVAILABLE)								
FBC30FW		TIP OR BRIDGE	9712308100	9712309300			9712309600	9712309300	9712309300	
FBS15	1AN	ASSEMBLY	97C5701100	97C5701200	97C5701400		97C5701500	97C5701300		
FBS15		KIT (NOT AVAILABLE)FBS15								
FBS15		TIP OR BRIDGE	9712308100	9712308900	97C5702100		97C5702100	9712309300		
FBS15	9XN	ASSEMBLY	97C5701100	97C5701200	97C5701400		97C5701500	97C5701300		
FBS15		KIT (NOT AVAILABLE)								
FBS15		TIP OR BRIDGE	9712308100	9712308900	97C5702100		97C5702100	9712309300		
FBS18	4HM	ASSEMBLY	97C5701100	97C5701200	97C5701400		97C5701500	97C5701300		
FBS18	4HM	KIT (NOT AVAILABLE)								
FBS18		TIP OR BRIDGE	9712308100	9712308900	97C5702100		97C5702100			
FBS18		TIP OR BRIDGE						9712309300		
FBS18	7FM	ASSEMBLY	97C5701100	97C5701200	97C5701400		97C5701500	97C5701300		
FBS18		KIT (NOT AVAILABLE)								
FBS18		TIP OR BRIDGE	9712308100	9712308900	97C5702100		97C5702100	9712309300		
FBS20	4HM	ASSEMBLY	97C5701100	97C5701200	97C5701400		97C5701500	97C5701300		
FBS20		KIT (NOT AVAILABLE)								
FBS20		TIP OR BRIDGE	9712308100	9712308900	97C5702100		97C5702100	9712309300		
FBS20	7FM	TIP OR BRIDGE	9712308100	9712308900	97C5702100		97C5702100	9712309300		
FBS20		ASSEMBLY	97C5701100	97C5701200	97C5701400		97C5701500	97C5701300		
FBS20		KIT (NOT AVAILABLE)								

ABBREVIATION KEY:

FW - Field Weakening

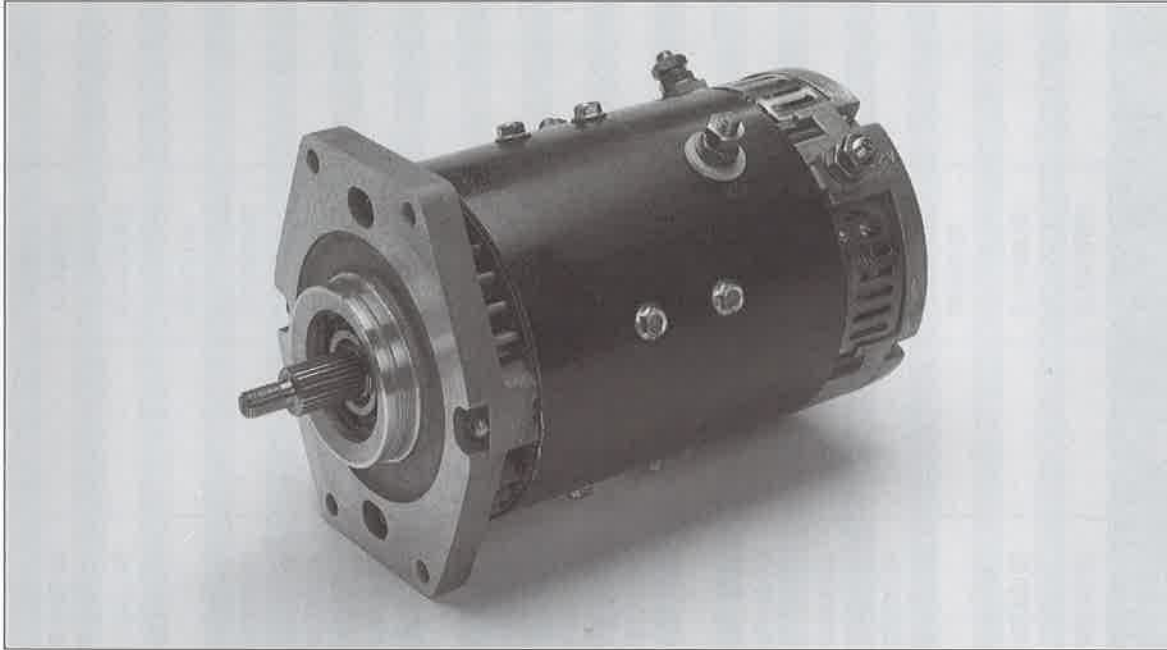
- Not currently available.

CONTACTOR COMPONENTS STAND UP END CONTROL

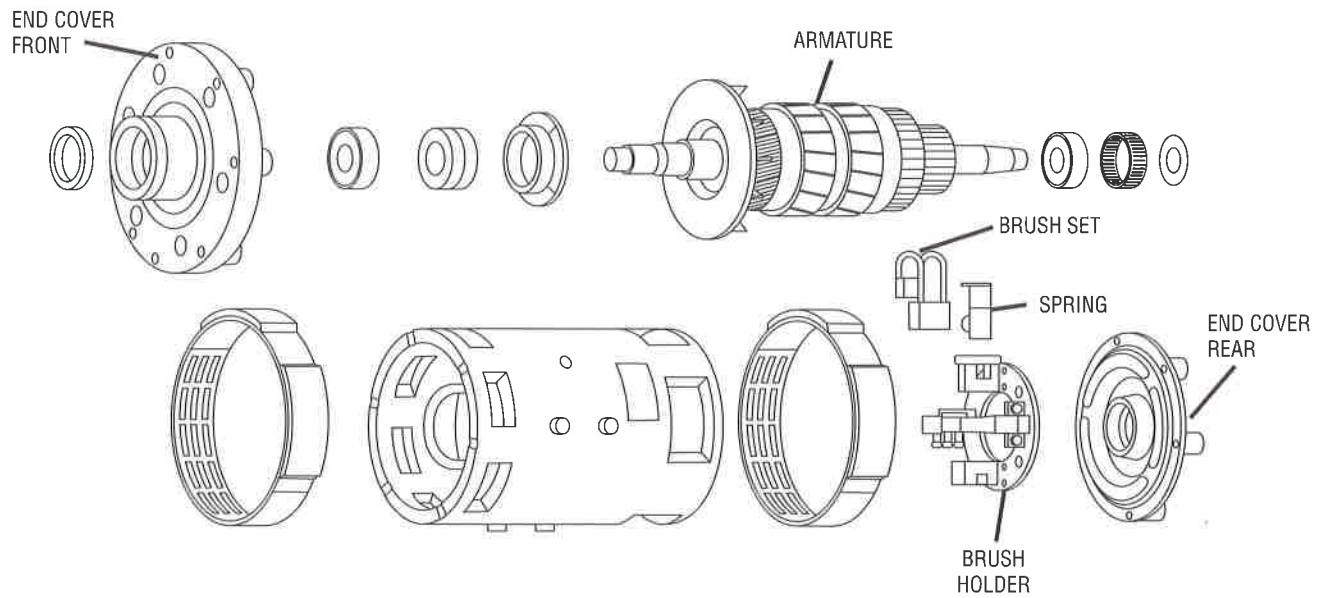
Truck Model	Serial Number Prefixes/Ranges	Description	Travel (TPC) Contactor	Lift (LPC) Contactor	Steer (STR) Contactor	Auxiliary (AUX) Contactor
FBC15KS	1FBCKS0200-9999	KIT	GS0000041	GS0000041	GS0000038	GS0000038
FBC15KS	1FBCKS0200-9999	ASSEMBLY	GS0000039	GS0000039	GS0000036	GS0000036
FBC18KS	1FBCKS0200-9999	KIT	GS0000041	GS0000041	GS0000038	GS0000038
FBC18KS	1FBCKS0200-9999	ASSEMBLY	GS0000039	GS0000039	GS0000036	GS0000036
FBC20KS	1FBCKS0200-9999	KIT	GS0000041	GS0000041	GS0000038	GS0000038
FBC20KS	1FBCKS0200-9999	ASSEMBLY	GS0000039	GS0000039	GS0000036	GS0000036
FBC25KS	1FBCKS0200-9999	KIT	GS0000041	GS0000041	GS0000038	GS0000038
FBC25KS	1FBCKS0200-9999	ASSEMBLY	GS0000039	GS0000039	GS0000036	GS0000036

ABBREVIATION KEY:

P - Pneumatic; SA - Special Arrangement/Application



MOTOR



MOTOR COMPONENTS

MOTOR COMPONENTS

Truck Model	Serial Number Prefixes/Ranges	Motor Type & Arrangement	Motor Group New	Motor Group Reman	Brush Kit	Single Brush	Spring Kit	Single Spring
2FBC15	A2BC1 - 20001 - 29999	HYDRAULIC	9712102200	RM00000127		9712106400		9712106100
2FBC15		STEERING	9712111900			MCF00103		9712002200
2FBC15		TRACTION	9712111600	RM00000130		9712006300		9712008900
2FBC15	A2BC1 - 30001 - 39999	HYDRAULIC	9712102200	RM00000127		9712106400		9712106100
2FBC15		STEERING	9712111900			MCF00103		9712002200
2FBC15		TRACTION	9712111600	RM00000130		9712006300		9712008900
2FBC15	A2BC1 - 60001 - 79999	HYDRAULIC	9712101700	RM00000126		9712008800		9712008900
2FBC15		TRACTION	9712101500	RM00000124		9712006300		9712008900
2FBC18	A2BC1 - 20001 - 29999	HYDRAULIC	9712101800	RM00000132		9712008800		9712008900
2FBC18		STEERING	9712111900			MCF00103		9712002200
2FBC18		TRACTION	9712111600	RM00000130		9712006300		9712008900
2FBC18	A2BC1 - 30001 - 39999	HYDRAULIC	9712101800	RM00000132		9712008800		9712008900
2FBC18		STEERING	9712111900			MCF00103		9712002200
2FBC18		TRACTION	9712111600	RM00000130		9712006300		9712008900
2FBC18	A2BC1 - 60001 - 79999	HYDRAULIC	9712101700	RM00000126		9712008800		9712008900
2FBC18		TRACTION	9712101500	RM00000124		9712006300		9712008900
2FBC20	A2BC2 - 20001 - 29999	HYDRAULIC	9712101800	RM00000132		9712008800		9712008900
2FBC20		STEERING	9712111900			MCF00103		9712002200
2FBC20		TRACTION	9722004900	RM00000131		9722002800		9722002700
2FBC20	A2BC2 - 30001 - 39999	HYDRAULIC	9722009300	RM00000133		9722007700		9712008900
2FBC20		STEERING	9712111900			MCF00103		9712002200
2FBC20	A2BC2 - 30001 - 39999	TRACTION	9722004900	RM00000131		9722002800		9722002700
2FBC20	A2BC2 - 60001 - 79999	HYDRAULIC	9722005200	RM00000128		9712006300		9712008900
2FBC20		TRACTION	9722009900 *	RM00000125		9722002800		9722002700
2FBC25	A2BC2 - 20001 - 29999	HYDRAULIC	9712101800	RM00000132		9712008800		9712008900
2FBC25		STEERING	9712111900			MCF00103		9712002200
2FBC25		TRACTION	9722004900	RM00000131		9722002800		9722002700
2FBC25	A2BC2 - 30001 - 39999	HYDRAULIC	9722009300	RM00000133		9722007700		9712008900
2FBC25		STEERING	9712111900			MCF00103		9712002200
2FBC25		TRACTION	9722004900	RM00000131		9722002800		9722002700
2FBC25	A2BC2 - 60001 - 79999	HYDRAULIC	9722005200	RM00000128		9712006300		9712008900
2FBC25		TRACTION	9722009900 *	RM00000125		9722002800		9722002700
2FBC25E	A2BC3 - 20001 - 29999	HYDRAULIC	9712101800	RM00000132		9712008800		9712008900
2FBC25E		STEERING	9712111900			MCF00103		9712002200
2FBC25E		TRACTION	9722004900	RM00000131		9722002800		9722002700

ABBREVIATION KEY:

- Not currently available.

MOTOR COMPONENTS

Truck Model	Serial Number Prefixes/Ranges	Motor Type & Arrangement	Motor Group New	Motor Group Reman	Brush Kit	Single Brush	Spring Kit	Single Spring
2FBC25E (cont.)	A2BC3 - 30001 - 39999	HYDRAULIC	9722009300	RM00000133		9722007700		9712008900
2FBC25E		STEERING	9712111900			MCF00103		9712002200
2FBC25E		TRACTION	9722004900	RM00000131		9722002800		9722002700
2FBC25E	A2BC3 - 60001 - 79999	HYDRAULIC	9722005200	RM00000128		9712006300		9712008900
2FBC25E		TRACTION	9722009900 *	RM00000125		9722002800		9722002700
2FBC30	A2BC3 - 20001 - 29999	HYDRAULIC	9722009300	RM00000133		9722007700		9712008900
2FBC30		STEERING	9712111900			MCF00103		9712002200
2FBC30		TRACTION	9722004900	RM00000131		9722002800		9722002700
2FBC30	A2BC3 - 30001 - 39999	HYDRAULIC	9722009300	RM00000133		9722007700		9712008900
2FBC30		STEERING	9712111900			MCF00103		9712002200
2FBC30		TRACTION	9722004900	RM00000131		9722002800		9722002700
2FBC30	A2BC3 - 60001 - 79999	HYDRAULIC	9722005200	RM00000128		9712006300		9712008900
2FBC30		TRACTION	9722009900 *	RM00000125		9722002800		9722002700
FB16KT	EFB4A - 00011 - 99999	DRIVE	9702010100		9702010170		9702010150	
FB16KT		HYDRAULIC	9702010400					
FB16KT		STEERING	97C7000100			97C7000130		97C7000140
FB16KT	EFB4B - 00011 - 99999	DRIVE	9702010200		9702010170		9702010150	
FB16KT		HYDRAULIC	9702010400					
FB16KT		STEERING	97C7000100			97C7000130		97C7000140
FB18KT	EFB5A - 00011 - 49999	DRIVE	9702010100		9702010170		9702010150	
FB18KT		HYDRAULIC	9702010400					
FB18KT		STEERING	97C7000100			97C7000130		97C7000140
FB18KT	EFB5B - 00011 - 49999	DRIVE	9702010200		9702010170		9702010150	
FB18KT		HYDRAULIC	9702010400					
FB18KT		STEERING	97C7000100			97C7000130		97C7000140
FB20KT	EFB5A - 50001 - 99999	DRIVE	9702010100		9702010170		9702010150	
FB20KT		HYDRAULIC	9702010400					
FB20KT		STEERING	97C7000100			97C7000130		97C7000140
FB20KT	EFB5B - 50001 - 99999	DRIVE	9702010200		9702010170		9702010150	
FB20KT		HYDRAULIC	9702010400					
FB20KT		STEERING	97C7000100			97C7000130		97C7000140
FBC15	AFB1 - 50401 - 59999	DRIVE	9772000600	RM00000075		9712006300		9712008900
FBC15		HYDRAULIC	9712000200			9712008800		9712008900
FBC15		STEERING	9712010302			9712100200		9712002200

ABBREVIATION KEY:

- Not currently available.

* Call Technical Support before ordering (713) 365-1686 or (713) 365-1604.

MOTOR COMPONENTS

Truck Model	Serial Number Prefixes/Ranges	Motor Type & Arrangement	Motor Group New	Motor Group Reman	Brush Kit	Single Brush	Spring Kit	Single Spring
FBC15KS	1FBCKS0200 - 9999	AUXILIARY	GS0001512		GS0001530		GS0001531	
FBC15KS		DRIVE	GS0000910		GS0001533		GS0001534	
FBC15KS		DRIVE EE	GS0000916		GS0000918		GS0000919	
FBC15KS		LIFT	GS0000908		GS0001521		GS0001522	
FBC15KS		LIFT EE	GS0000924		GS0000927		GS0000928	
FBC15KS		STEERING	GS0000906		GS0001527		GS0001528	
FBC18KS		AUXILIARY	GS0001512		GS0001530		GS0001531	
FBC18KS		DRIVE	GS0000910		GS0001533		GS0001534	
FBC18KS		DRIVE EE	GS0000916		GS0000918		GS0000919	
FBC18KS		LIFT	GS0000908		GS0001521		GS0001522	
FBC18KS		LIFT EE	GS0000924		GS0000927		GS0000928	
FBC18KS		STEERING	GS0000906		GS0001527		GS0001528	
FBC20	AFB2 - 00203 - 09999	DRIVE	9722000100			9722002800		9722002700
FBC20		HYDRAULIC	9722000200			9712008800		9712008900
FBC20		STEERING	9712010302			9712100200		9712002200
FBC20FW	AFB2A - 00011 - 09999	DRIVE	9722000800			9722002800		9722002700
FBC20FW		HYDRAULIC	9722000200			9712008800		9712008900
FBC20FW		STEERING	9712010302			9712100200		9712002200
FBC20KS	1FBCKS0200 - 9999	AUXILIARY	GS0001512		GS0001530		GS0001531	
FBC20KS		DRIVE	GS0000910		GS0001533		GS0001534	
FBC20KS		DRIVE EE	GS0000916		GS0000918		GS0000919	
FBC20KS		LIFT	GS0000908		GS0001521		GS0001522	
FBC20KS		LIFT EE	GS0000924		GS0000927		GS0000928	
FBC20KS		STEERING	GS0000906		GS0001527		GS0001528	
FBC25	AFB2 - 50353 - 59999	DRIVE	9722000100			9722002800		9722002700
FBC25		HYDRAULIC	9722000200			9712008800		9712008900
FBC25		STEERING	9712010302			9712100200		9712002200
FBC25FW	AFB2A - 50005 - 59999	DRIVE	9722000800			9722002800		9722002700
FBC25FW		HYDRAULIC	9722000200			9712008800		9712008900
FBC25FW		STEERING	9712010302			9712100200		9712002200
FBC25KS	1FBCKS0200 - 9999	AUXILIARY	GS0001512		GS0001530		GS0001531	
FBC25KS		DRIVE	GS0000914		GS0001515		GS0001516	
FBC25KS		DRIVE EE	GS0000916		GS0000918		GS0000919	

ABBREVIATION KEY:

FW - Field Weakening; OBC - Oversize Battery Compartment

- Not currently available.

* Call Technical Support before ordering (713) 365-1686 or (713) 365-1604.

MOTOR COMPONENTS

Truck Model	Serial Number Prefixes/Ranges	Motor Type & Arrangement	Motor Group New	Motor Group Reman	Brush Kit	Single Brush	Spring Kit	Single Spring
FBC25KS (cont.)	1FBCKS0200 - 9999	LIFT	GS0000912		GS0001524		GS0001525	
FBC25KS		LIFT EE	GS0000924		GS0000927		GS0000928	
FBC25KS		STEERING	GS0000906		GS0001527		GS0001528	
FBC250BC	AFB2 - 90001 - 99999	DRIVE	9722000100			9722002800		9722002700
FBC250BC		HYDRAULIC	9722000200			9712008800		9712008900
FBC250BC		STEERING	9712010302			9712100200		9712002200
FBC30	AFB3 - 00067 - 09999	DRIVE	9722000100			9722002800		9722002700
FBC30		HYDRAULIC	9722000200			9712008800		9712008900
FBC30		STEERING	9712010302			9712100200		9712002200
FBC30FW	AFB3A - 00011 - 09999	DRIVE	9722000800			9722002800		9722002700
FBC30FW		HYDRAULIC	9722000200			9712008800		9712008900
FBC30FW		STEERING	9712010302			9712100200		9712002200
FBS15	1AN	DRIVE	0927540	1090347	0928965		0917194	
FBS15		HYDRAULIC	0927560	1090349	0928965		0917194	
FBS15		STEERING	0398894		6R5518		6R5520	
FBS15	9XN	DRIVE	0927550	1090348	0928965		0917194	
FBS15		HYDRAULIC	0927570	1090350	0928965		0917194	
FBS15		STEERING	6R5545		6R5518		6R5520	
FBS18	4HM	DRIVE	0927550	1090348	0928965		0917194	
FBS18		HYDRAULIC	0927570	1090350	0928965		0917194	
FBS18		STEERING	6R5545		6R5518		6R5520	
FBS18	7FM	DRIVE	0927540	1090347	0928965		0917194	
FBS18		HYDRAULIC	0927560	1090349	0928965		0917194	
FBS18		STEERING	0398894		6R5518		6R5520	
FBS20	4HM	DRIVE	0927550	1090348	0928965		0917194	
FBS20		HYDRAULIC	0927570	1090350	0928965		0917194	
FBS20		STEERING	6R5545		6R5518		6R5520	
FBS20	7FM	DRIVE	0927540	1090347	0928965		0917194	
FBS20		HYDRAULIC	0927560	1090349	0928965		0917194	
FBS20		STEERING	0398894		6R5518		6R5520	

ABBREVIATION KEY:

FW - Field Weakening

- Not currently available.