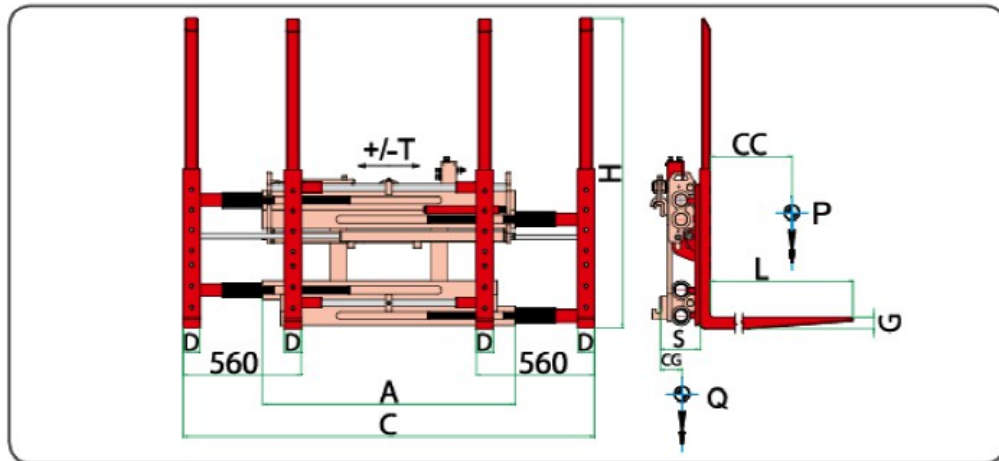


# Double Fork Positioner with integral sideshift: 917

*compare to Cascade G2 series  
compare to Bolzoni model DA-DS*



<b>series 917</b>		<b>Double Fork Positioner with integral sideshift</b>				
REFERENCE	CAPACITY P - Lb	LOAD CENTER CC - in	MFG CLASS	CARRIAGE WIDTH A - in	OPENING RANGE C MIN - in C MAX - in	
15REA2A1004	4850	23"	IIA	47"	22"	76"
15RFB3A1005	5730	23"	IIIA	47"	22"	76"
15RHF3A1005	7050	23"	IIIA	47"	22"	76"

REFERENCE	FORKS DxGxL in H in		STROKE T - in	THICKNESS S - in	CENTER OF GRAVITY CG - in	WEIGHT Q - Lb
15REA2A1004	3.1x1.5x45"	57.5"	3.9"	7.2"	8"	1058
15RFB3A1005	3.1x1.9x45"	57.5"	3.9"	7.2"	8.2"	1168
15RHF3A1005	3.1x2.3x45"	57.5"	3.9"	7.6"	8.4"	1400