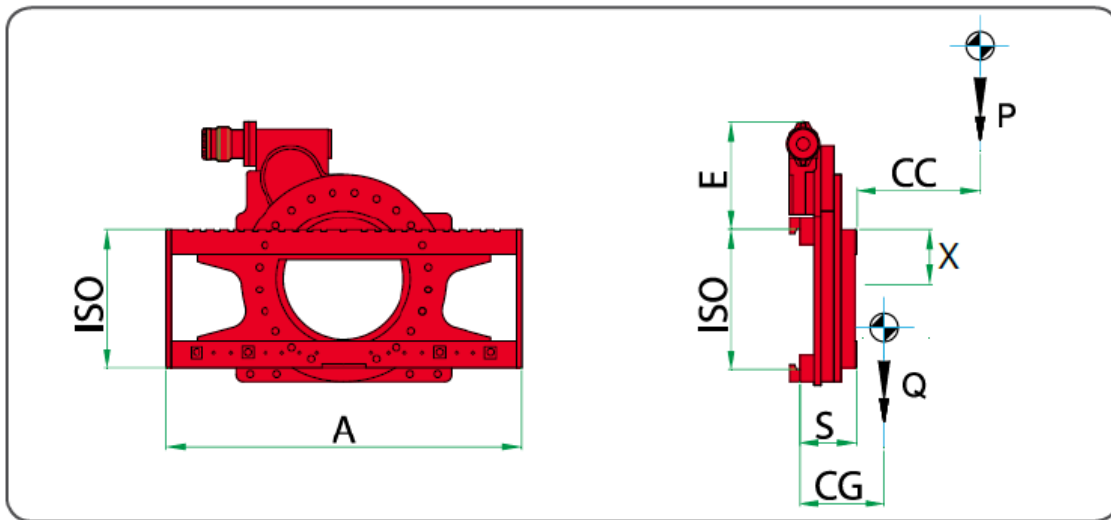
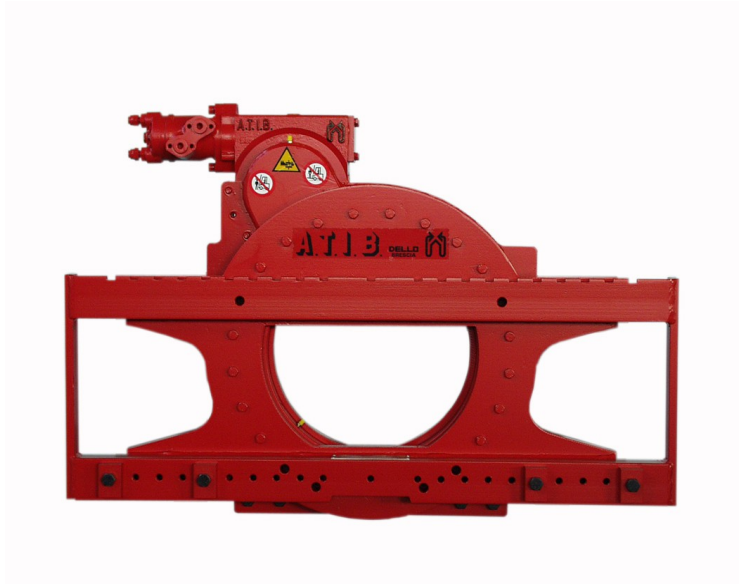


360° Rotators: 301

compare to Cascade 30/40/45/55/65G
compare to Bolzoni model RC



series 301		360° Rotators								
REFERENCE	CAPACITY P - Lb	LOAD CENTER CC - in	MFG CLASS	CARRIAGE WIDTH A - in	OIL VOLUME GAL/ ROTATION	HEIGHT E - in	TORQUE Nm P 100 bar	THICKNESS S - in	CENTER OF GRAVITY CG - in	WEIGHT Q - lb
23EC42C0002	3500	20"	II	39"	2.14	13"	6700	6.2"	3.7"	396
23EE82C0002	4850	20"	II	43"	2.14	13"	6700	6.5"	3.7"	436
23EH23C0002	6610	20"	III	45"	2.32	14"	7400	7.6"	4.3"	727
23EHS3C0002	7500	20"	III	50"	2.32	14"	12300	7.6"	4.3"	738